



Product Summary

The Keyfob Model RC600/RC200/RC700 is designed for operating a RSI VIDEO TECHNOLOGIES™ security system. The keyfob includes the following features:

- > Battery operated
- > Full arm and full disarm capabilities
- > Two customized arming capabilities
- > Two panic alarm capabilities

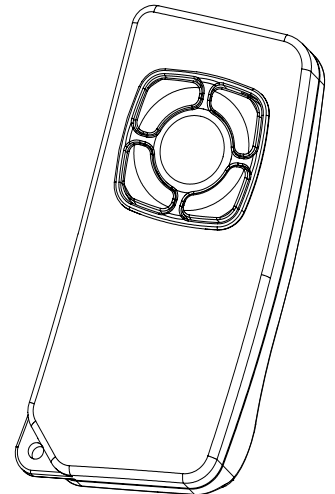
Programming/RF Testing

The following provides summarized steps for device programming. For complete details, refer to the control panel installation manual.

- 1 Put control panel into programming/configuration mode.
- 2 Using a programmed alphanumeric keypad, proceed through menus until the display shows ADD A NEW DEVICE.
- 3 Press Yes. The display shows PRESS PROGRAM BUTTON OF DEVICE>
- 4 Press and hold keyfob ON and OFF buttons together for seven seconds, then release them. The keyfob emits a series of beeps. Wait for keypad display to show KEYFOB (1 -24) PROGRAMMED.

- 5 Press Yes. The display shows ADD A NEW DEVICE ?
- 6 Repeat steps 5 - 7 for remaining keyfobs.
- 7 When finished, exit from configuration mode.

* Batteries come soldered in from the factory and are not customer replaceable (last 10 years).



Regulatory Information

FCC Part 15

This device complies with FCC Rules Part 15. Operation is subject to the following two conditions:

- 1.) This device may not cause harmful interference and,
- 2.) this device must accept any interference that may be received, including interference that may cause undesired operation.

Changes or modifications not expressly approved by RSI VIDEO TECHNOLOGIES, Inc. can void the user's authority to operate the equipment.

Specifications

Panel Compatibility	VIDEOFIED V6000/VISIO1000/V7000
Operating Frequency	915/868/920 MHz
Radio type	Spread Spectrum Bidirectional RF
Power Requirements	Lithium battery
Battery Life	10 years
Operating Temperature	32° - 104° F (0° - +40° C)
Maximum Relative Humidity	70%, non-condensing
Dimensions	(LxWxD) 3-3/8 in. x 1-1/2 in. x 11/16 in. (84 mm x 40mm x 17 mm)
Weight	1.1 oz./32 g (without battery)
Approvals	UL / FCC (RC600) CE / EN50131 / EN300220 / INCERT/ IDA / NCP (RC200) A-Tick (RC700)

